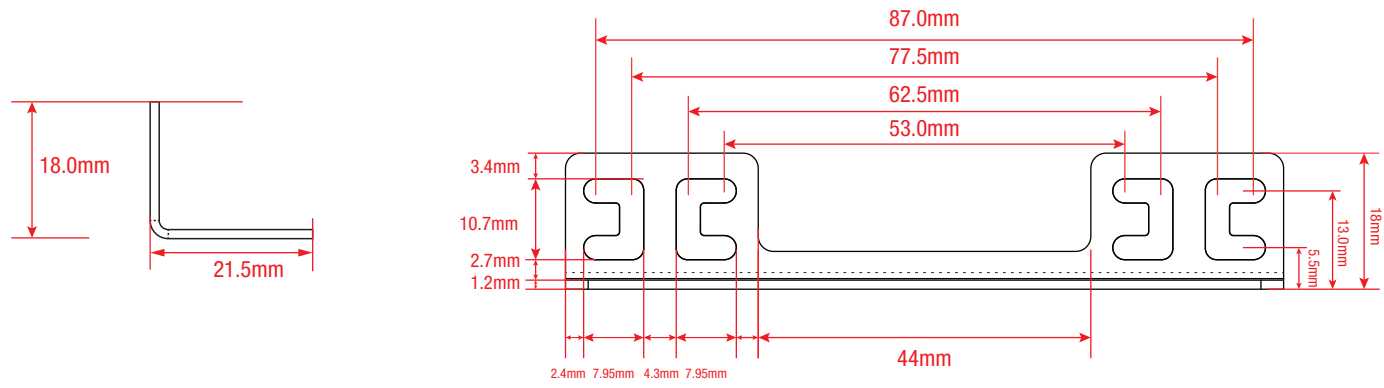
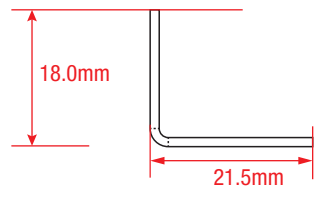


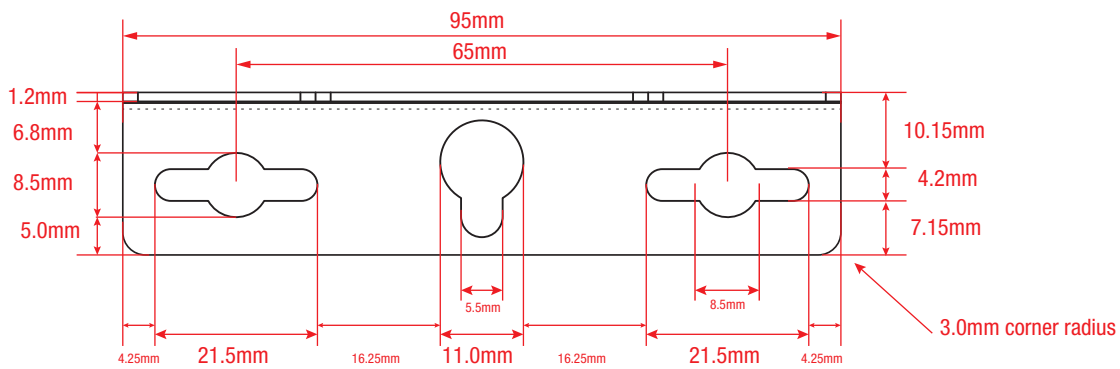
Oblique View



Product Facing Side



Views of Ends



Bottom Side

! All dimensions should be accurate to within +/- 0.1mm of dimensions on drawing



MODEL NUMBER			DN-150 / DN-225 Series	
DESCRIPTION			Mounting Bracket for DisplayNet® SDVoE Extenders	
REVISED BY	L. Barlow Flournoy	03.APR.2020	DRAWING NUMBER	03042020-DN-150-225-MB-01-LBF
APPROVED BY	S. BARLOW	03.APR.2020	REVISION	1.0

REMARKS: Vector drawing 1:1.

Bracket Dimensions: Bottom: 95 mm wide x 21.0 mm deep; Side: 95 mm wide x 18.0 mm high